

# XST6238TR COL – COMPLIANT SHOWER

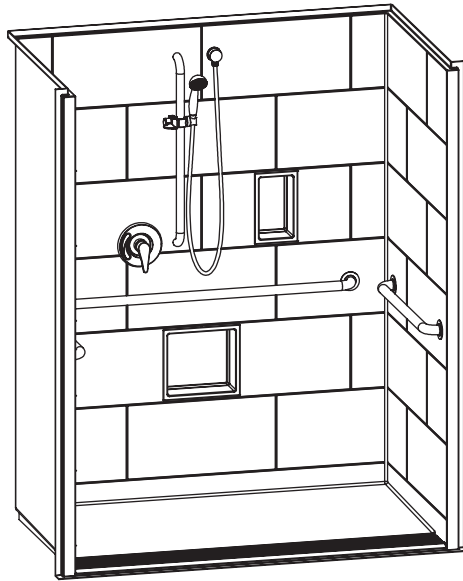
## Without Seat

Interior: 60 x 36 x 76 ¾

Exterior: 66 x 38 ⅛ x 78 ¾

inches

The XST6238TR COL roll-in shower features innovative installation design, including an engineered leveled base and improved front threshold with molded integral linear trench drain. A true time and money saver, our pre-leveled base lets you install directly on a **level** floor. And its front threshold is engineered to keep a constant level with the innovative nailing flange.



Shown fully-equipped

## COLOR & TRIM OPTIONS

Stock	Upgraded
White	Biscuit Bone

\*\*Additional custom colors available.  
(Contact Customer Service)

## FEATURES

- Pre-leveled base
- AcrylX™ applied acrylic surface
- ½" skirt
- ½" change of level (COL) exterior threshold
- Barrier free when properly installed
- Smooth subway tile wall
- Center front drain outlet
- Integral front trench drain
- 30-year warranty\*

\* See terms and conditions for details

## OPTIONS

- Grab bars
- Hand-held shower assembly with slide bar
- Pressure balancing mixing valve
- Large soap dish
- Small soap dish
- Curtain rod and/or shower curtain, shipped loose

## CODE COMPLIANCE

- ADA
- FHA
- HUD UM73a
- ANSI Z124.1.2
- CAN/CSA-B45-02

\*\*Code compliant when fully equipped and installed according to guidelines.

**asura**  
Trench Drain Collection  
by Comfort Designs

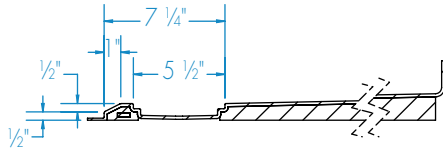


# XST6238TR COL

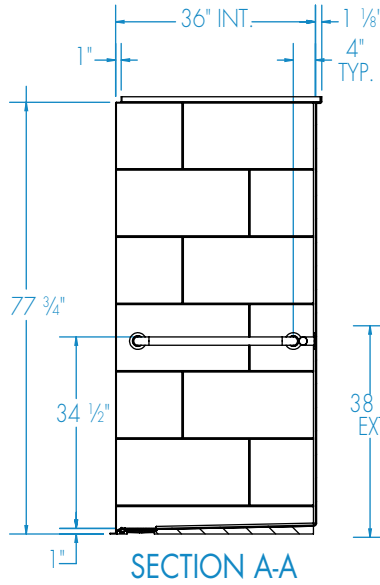
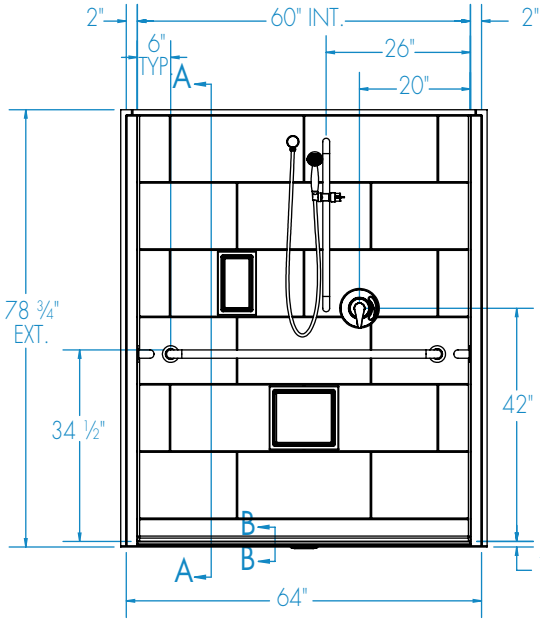
**Without Seat**

Interior: 60 x 36 x 76 ¾  
Exterior: 66 x 38 ⅛ x 78 ¾  
inches

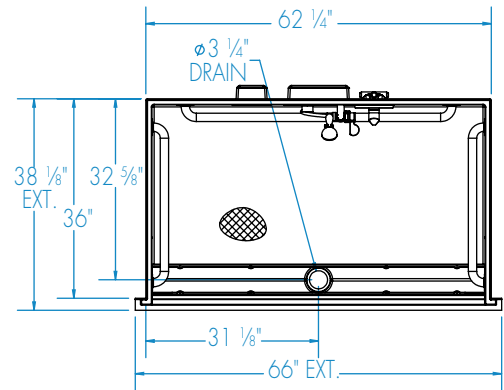
ADA compliant when fully equipped and installed according to guidelines.



**SECTION B-B**  
(Trench grate (Included) not shown)



**SECTION A-A**



**FEATURES**

lbs Dimensional Tolerance ± ⅜". Dimensions needed for site preparation should be measured from the unit. Manufacturer assumes no responsibility for preparatory work.

Type and Model #	Material	Wall Finish	Pieces	Drain	Dam/Skirt Height	Net Wt.	Pkg. Wt.
Shower XST6238TR COL	AcrylX™ applied acrylic	Smooth tile	1	Center Front	½" skirt ½" exterior COL threshold	200	210

**DIMENSIONS**

Specifications	inches
Width: Ext. / Int.	66 / 60
Depth: Ext. / Int.	38 ⅛ / 36
Height: Ext. / Int.	78 ¾ / 76 ¾
Enclosure Opening:	60
Skirt Height:	½
Drain Rough-In (from Back Wall)	32 ⅝
Drain Rough-In (from Side Wall)	31 ⅛

**FRAMING DIMENSIONS** inches (mm)

Type	D Depth	W Width	H Height	A	B	C
Alcove	36	62 ¼	-	Box Out	31 ⅛	32 ⅝

