

CUSTOMER: _____

JOB NAME: _____

PO #: _____ QUOTE # _____

DATE: _____ QUANTITY: L _____ R _____

SHIP TO: _____

One Signature Required

_____	PLUMBING CONTRACTOR APPROVAL	____/____/____
_____	GENERAL CONTRACTOR APPROVAL	____/____/____
_____	ENGINEER APPROVAL	____/____/____
_____	ARCHITECT APPROVAL	____/____/____

To complete your order, this document must be signed and emailed to the Centralized Customer Service Center.
quotes@americanbathgroup.com • 800.443.7269

STANDARD FEATURES

- Pre-leveled base
- AcrylX™ applied acrylic surface
- 1 1/8" skirt
- Compliant when properly installed
- Center front drain outlet
- Integral front trench drain
- 12" x 24" subway tile
- Slip resistant, textured bottom [ASTM F-462]

Int. Dim.	60 W x 36 D x 76 3/4 H
Ext. Dim.	66 W x 38 1/8 D x 78 3/4 H
Skirt Ht.	1 1/8 skirt
Packaged Wt.	210 lbs.
Material	AcrylX™ applied acrylic
Warranty	30-year warranty*

* See terms and conditions for details

inches

CONFIGURATION (handed by fixture wall)

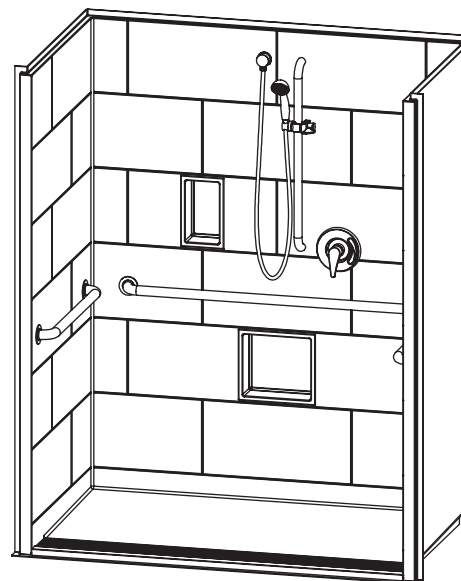
- Shell reinforced for future accessory installation
Fixture wall LH RH Back wall
- Optional vertical bar reinforcement (entry wall)
 LH RH Both
- Fully configured — ADA
Fixture Wall (must choose one) LH RH Back Wall
Includes two stainless steel 24" x 1 1/2" grab bars located on the side wall and one stainless steel 48" x 1 1/2" grab bar located on the back wall, per ADA guidelines. (std config)
- Factory-installed plumbing options per ADA requirements
 - Hand-held shower assembly, 30" slide bar and 60" hose
 - Pressure balancing mixing valve

OPTIONAL ACCESSORIES (available for all models)

- Stainless steel vertical bar 24" x 1 1/2" (entry wall)
 - LH RH Both
 - Large soap dish (12 1/2 W x 3 1/2 D x 1 1/2 H), shipped loose
 - Small soap dish (7 W x 3 1/2 D x 1 1/2 H), shipped loose
 - Curtain rod, shipped loose
 - Shower curtain, shipped loose
 - Brass drain
- Colors:
- Standard White
 - Upgraded Biscuit Bone
 - Other (contact customer service for custom color options)
- Additional accessories:

CUSTOM OPTIONS (not available if ADA configuration is selected)

- Grab bars:
- Horizontal U-shaped bars: 24" (side walls), 48" (back wall)
 - Vertical bar 24" (entry wall) LH RH Both
- Grab Bar finish:
- Stainless steel (1 1/2" dia.)
 - Powder-coated white (1 1/4" dia.)
- Factory-installed plumbing options per ADA requirements
 - Hand-held shower assembly, 30" slide bar and 60" hose
 - Pressure balancing mixing valve
- Fixture wall LH RH Back wall
- Grate:
- Stainless steel
 - White



Back wall right fixture placement configuration shown with optional soap dish

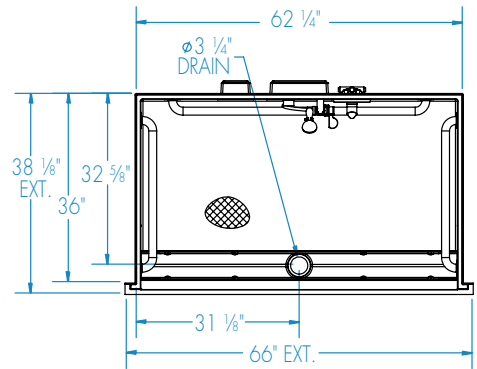
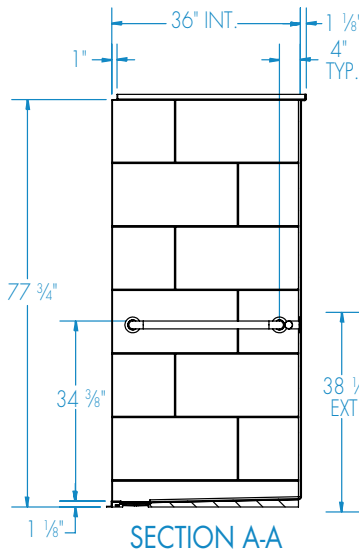
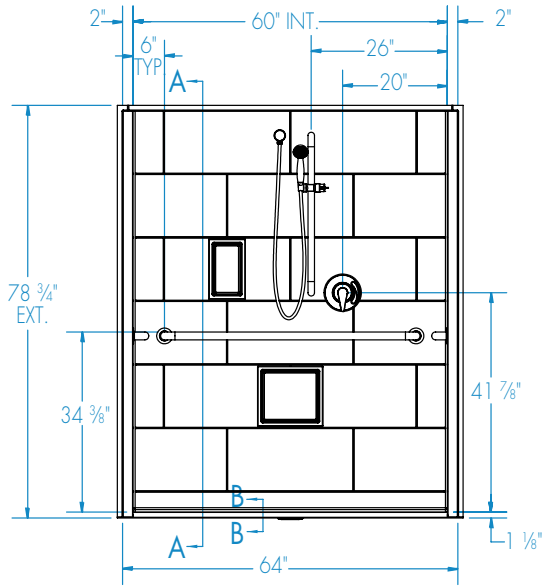
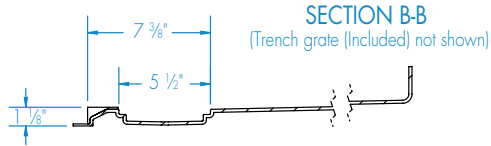
This unit is not suitable for behavioral health applications.



ADA/ANSI compliant when fully equipped and installed according to guidelines.



This unit is not suitable for behavioral health applications.



FEATURES lbs Dimensional Tolerance $\pm \frac{3}{8}$ ". Dimensions needed for site preparation should be measured from the unit. Manufacturer assumes no responsibility for preparatory work.

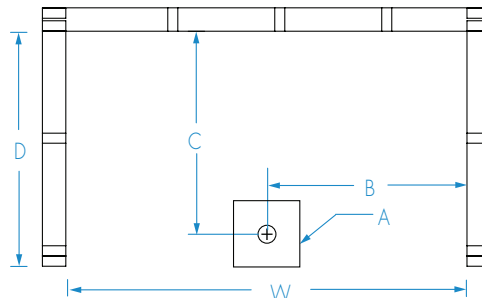
Type and Model #	Material	Wall Finish	Pieces	Drain	Dam/Skirt Height	Net Wt.	Pkg. Wt.
Shower XST6238TR 1.125	AcrylX™ applied acrylic	Smooth tile	1	Center Front	1 1/8" skirt	200	210

DIMENSIONS

Specifications	inches
Width: Ext. / Int.	66 / 60
Depth: Ext. / Int.	38 1/8 / 36
Height: Ext. / Int.	78 3/4 / 76 3/4
Enclosure Opening:	60
Skirt Height:	1/2
Drain Rough-In (from Back Wall)	32 5/8
Drain Rough-In (from Side Wall)	31 1/8

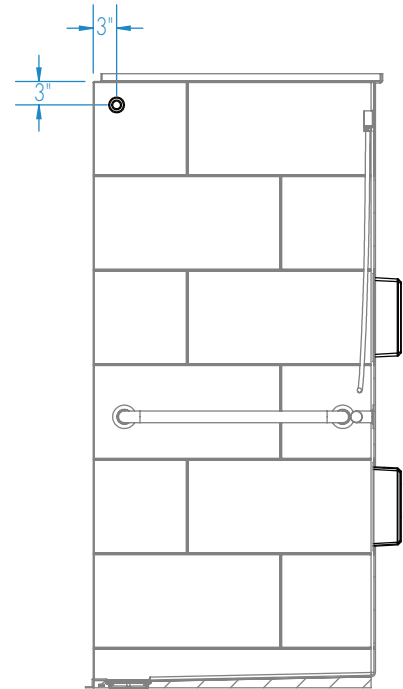
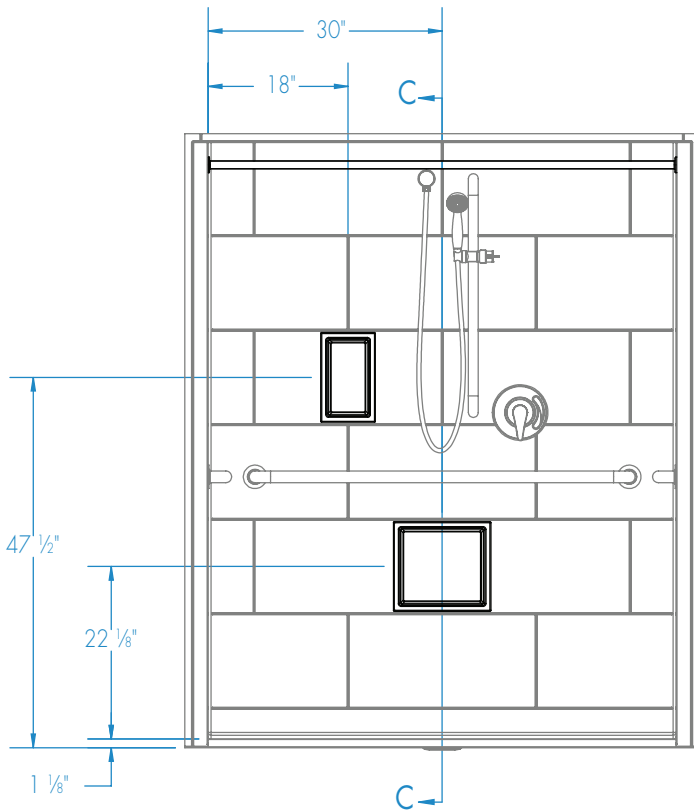
FRAMING DIMENSIONS inches (mm)

Type	D Depth	W Width	H Height	A	B	C
Alcove	36	62 1/4	-	Box Out	31 1/8	32 5/8



EMAIL TO THE CENTRALIZED CUSTOMER SERVICE CENTER: quotes@americanbathgroup.com

Curtain Rod and Soap Dish Locations (Standard Valve Configuration)



SECTION C-C