

CUSTOMER: _____

JOB NAME: _____

PO #: _____ QUOTE # _____

DATE: _____ QUANTITY: L _____ R _____

SHIP TO: _____

One Signature Required

_____	PLUMBING CONTRACTOR APPROVAL	____/____/____
_____	GENERAL CONTRACTOR APPROVAL	____/____/____
_____	ENGINEER APPROVAL	____/____/____
_____	ARCHITECT APPROVAL	____/____/____

To complete your order, this document must be signed and emailed to the Centralized Customer Service Center.
quotes@americanbathgroup.com • 800.443.7269

STANDARD FEATURES

- Pre-leveled base
- AcrylX™ applied acrylic surface
- 1/2" skirt
- 1/2" COL exterior threshold
- Compliant when properly installed
- Center front drain outlet
- Integral front trench drain
- Slip resistant, textured bottom [ASTM F-462]

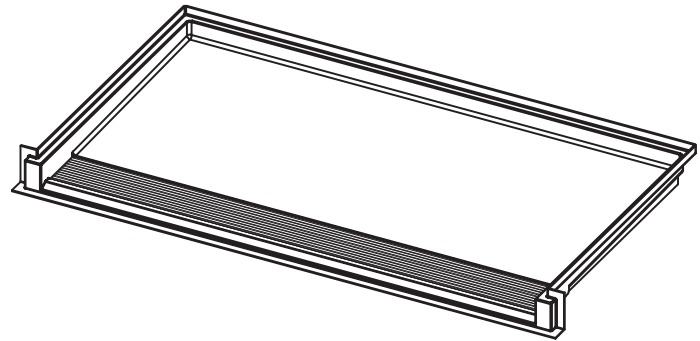
Int. Dim.	60 W x 34 D x 2 5/8 H
Ext. Dim.	66 W x 36 1/8 D x 4 5/8 H
Skirt Ht.	1/2 skirt, 1/2 COL exterior threshold
Packaged Wt.	50 lbs.
Material	AcrylX™ applied acrylic
Warranty	30-year warranty*

* See terms and conditions for details

inches

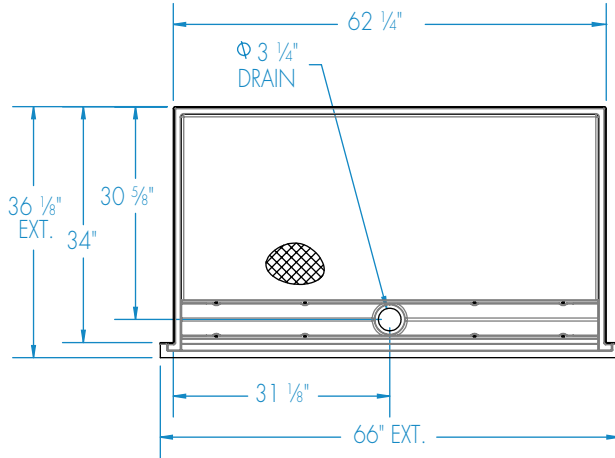
OPTIONS

- Grate:
- Stainless steel
 - White
 - Brass drain
- Colors:
- Standard White
 - Upgraded Biscuit Bone
 - Other (contact customer service for custom color options)



This unit is not suitable for behavioral health applications.

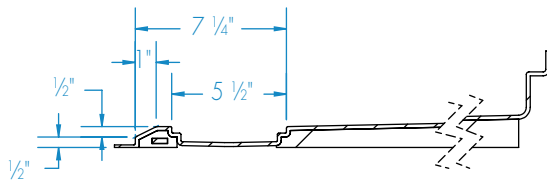
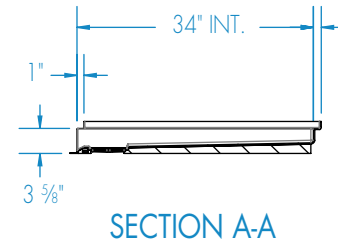
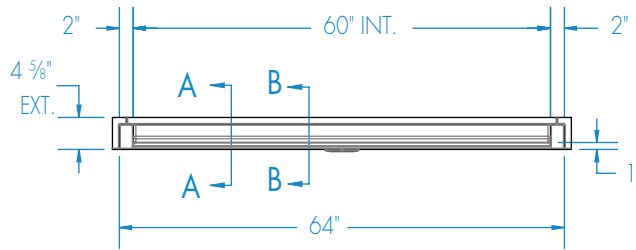




ADA/ANSI compliant when fully equipped and installed according to guidelines.



This unit is not suitable for behavioral health applications.



SECTION B-B
Integral Pre-leveled Base
trench grate (included), not shown

FEATURES lbs Dimensional Tolerance $\pm \frac{3}{16}$ ". Dimensions needed for site preparation should be measured from the unit. Manufacturer assumes no responsibility for preparatory work.

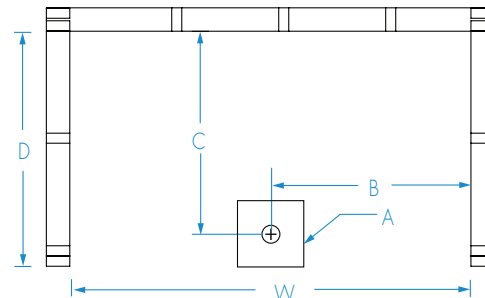
Type and Model #	Material	Wall Finish	Pieces	Drain	Dam/Skirt Height	Net Wt.	Pkg. Wt.
Shower XSB6236TR COL	AcrylX™ applied acrylic	Smooth	1	Center Front	1/2" skirt 1/2" exterior COL threshold	40	50

DIMENSIONS

Specifications	inches (mm)
Width: Ext. / Int.	66 / 60
Depth: Ext. / Int.	36 1/8 / 34
Height: Ext. / Int.	4 5/8 / 2 5/8
Enclosure Opening:	60
Skirt Height:	1/2
Drain Rough-In (from Back Wall)	30 5/8
Drain Rough-In (from Side Wall)	31 1/8

FRAMING DIMENSIONS inches (mm)

Type	D Depth	W Width	H Height	A	B	C
Alcove	34	62 1/4	-	Box Out	31 1/8	30 5/8



EMAIL TO THE CENTRALIZED CUSTOMER SERVICE CENTER: quotes@americanbathgroup.com