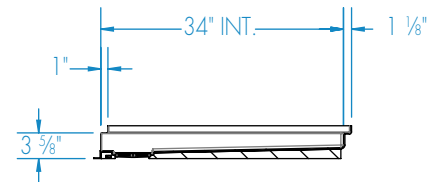
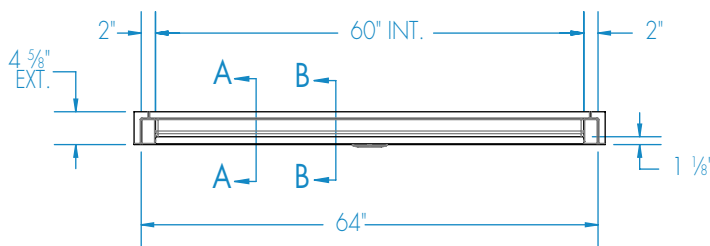
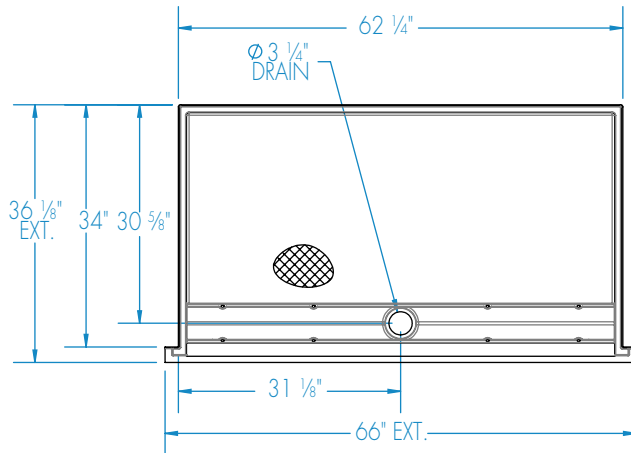


# XSB6236TR 1.125

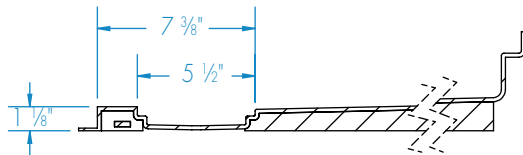
Interior: 60 x 34 x 2 ½  
Exterior: 66 x 36 ⅙ x 4 ⅝  
inches



ADA/ANSI compliant when fully equipped and installed according to guidelines.



SECTION A-A



SECTION B-B  
Integral Pre-levleled Base  
trench grate (included), not shown

**FEATURES** lbs Dimensional Tolerance ± ⅜". Dimensions needed for site preparation should be measured from the unit. Manufacturer assumes no responsibility for preparatory work.

Type and Model #	Material	Wall Finish	Pieces	Drain	Dam/Skirt Height	Net Wt.	Pkg. Wt.
Shower XSB6236TR 1.125	AcrylX™ applied acrylic	Smooth	1	Center Front	1 ⅙" skirt	40	50

## DIMENSIONS

Specifications	inches (mm)
Width: Ext. / Int.	66 / 60
Depth: Ext. / Int.	36 ⅙ / 34
Height: Ext. / Int.	4 ⅝ / 2 ½
Enclosure Opening:	60
Skirt Height:	1 ⅙
Drain Rough-In (from Back Wall)	30 ⅝
Drain Rough-In (from Side Wall)	31 ⅙

## FRAMING DIMENSIONS inches (mm)

Type	D Depth	W Width	H Height	A	B	C
Alcove	34	62 ¼	-	Box Out	31 ⅙	30 ⅝

